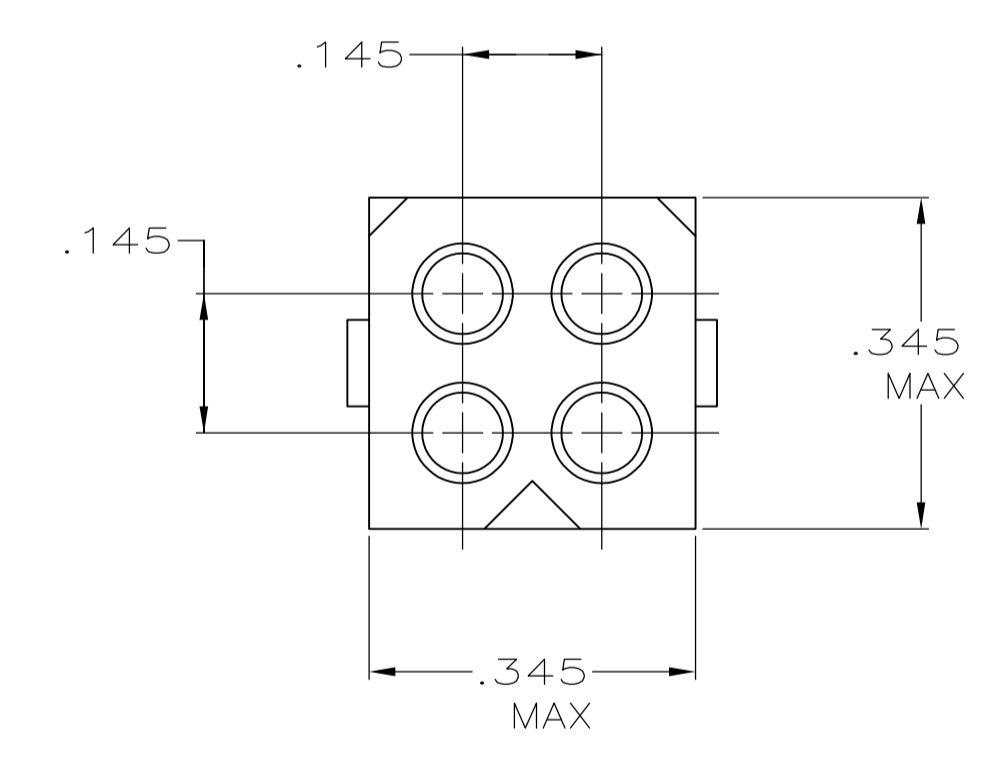
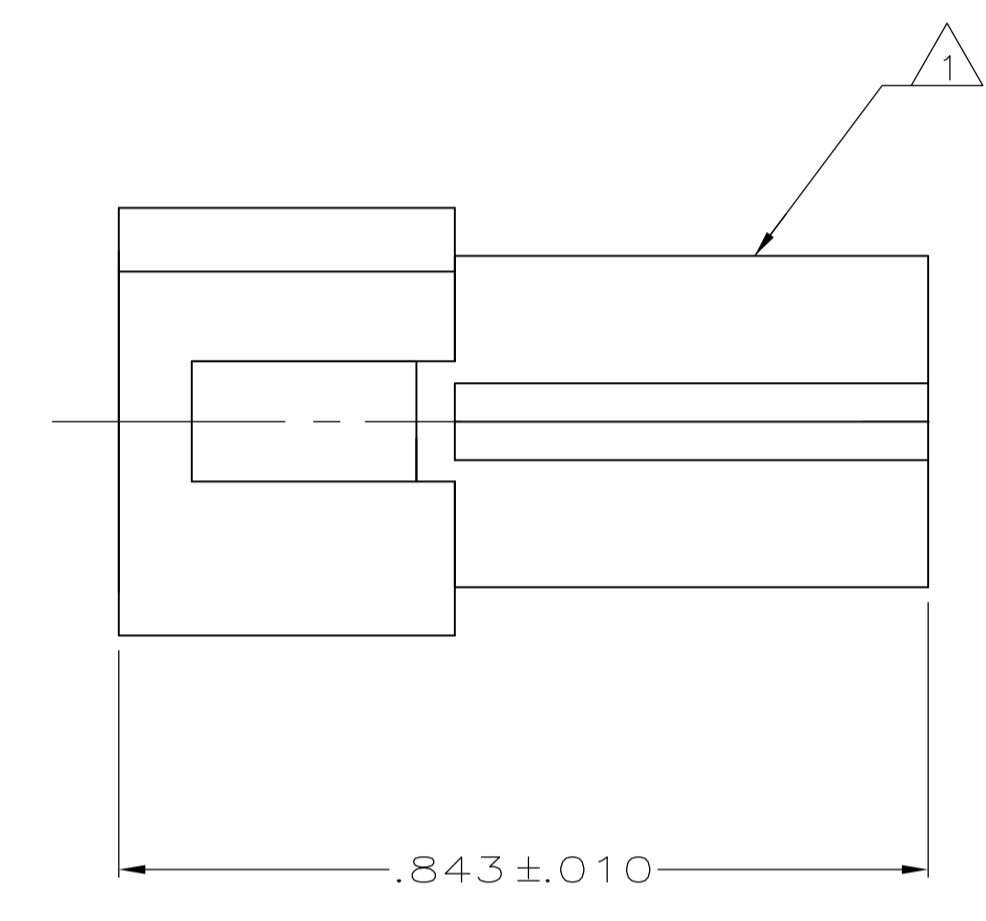
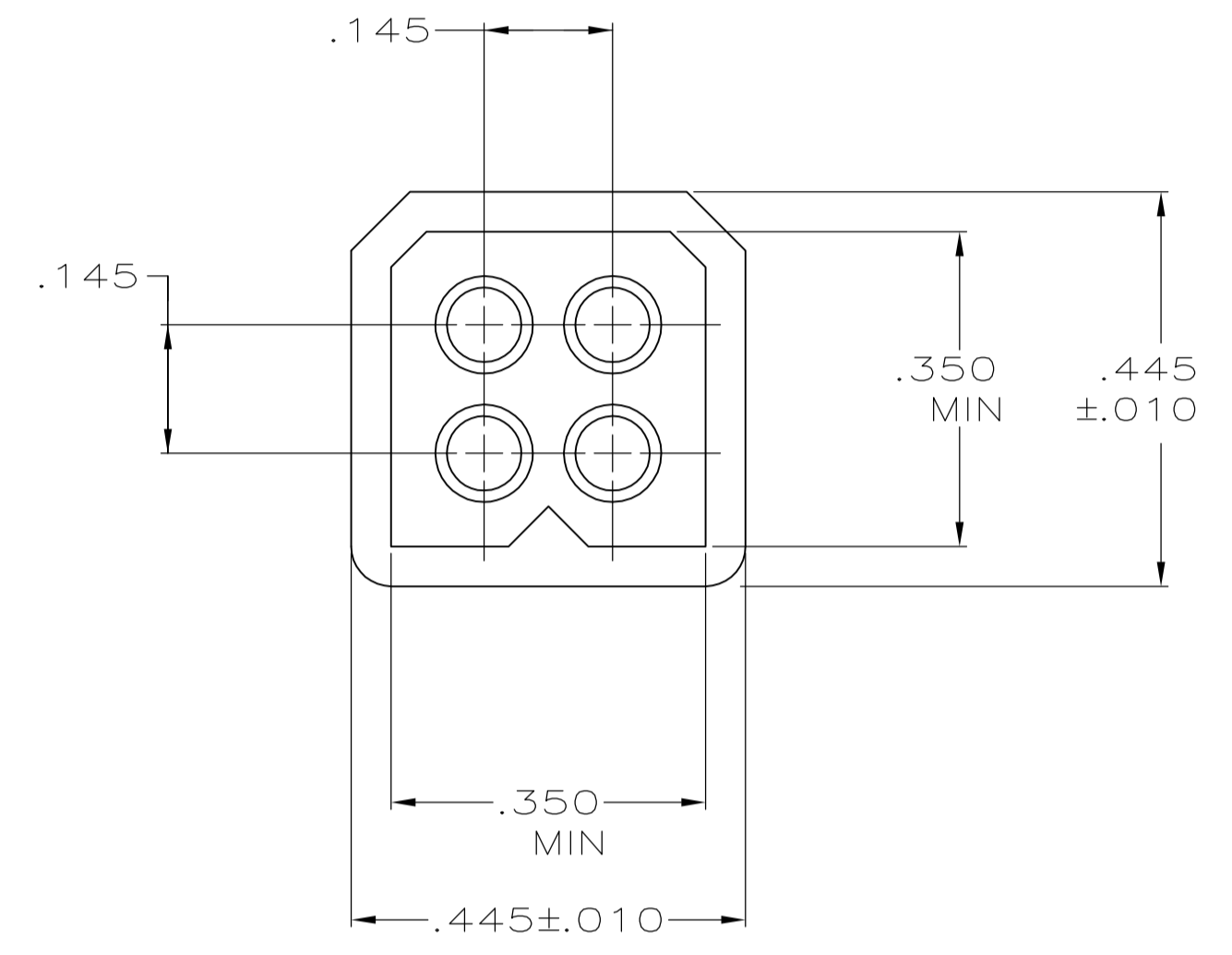
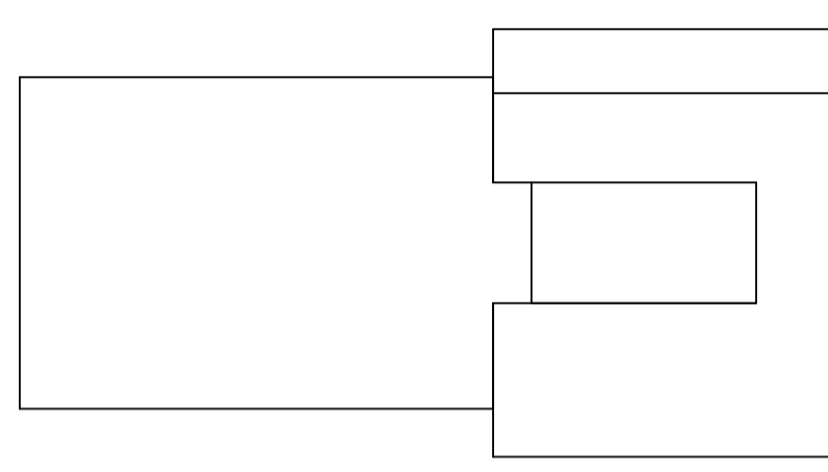
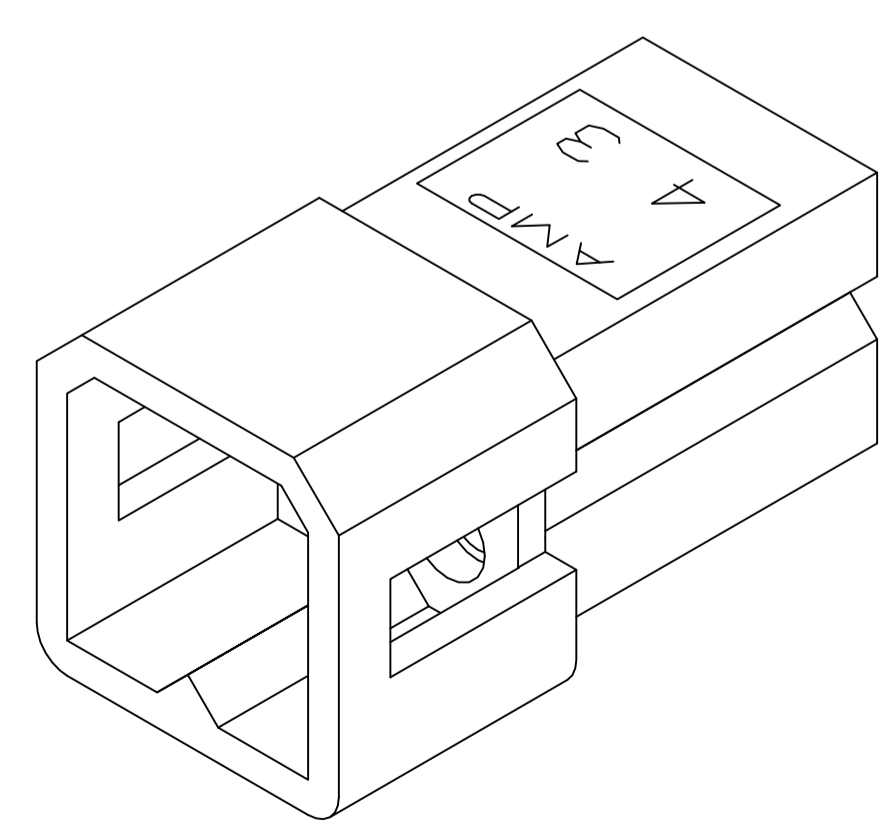


LOC		DIST		REVISIONS			
P	LTR	DESCRIPTION	DATE	DMN	APVD		
B2		REVISED PER ECR-09-007140	31MAR09	HMR	KR		

1 AMP LOGO LOCATED ON THIS SURFACE.
 2 PRELIMINARY - NOT FOR PRODUCTION



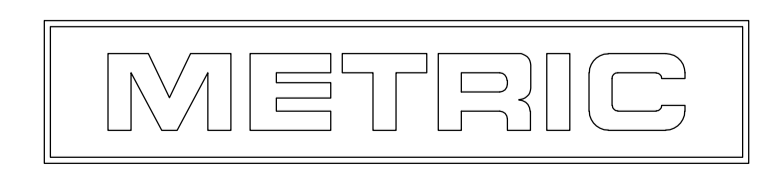
MATING CONNECTOR INTERFACE



3-DIMENSIONAL MODEL NTS

IN	MM	IN	MM
.145	3.68	.843	21.41
.062	1.57	.445	11.30
.010	0.25	.350	8.89
.005	0.13	.345	8.76

CONVERSION TABLE



BLACK	770433-3
NATURAL	770433-1
COLOR	PART NUMBER

THIS DRAWING IS A CONTROLLED DOCUMENT.

DIMENSIONS: INCHES	TOLERANCES UNLESS OTHERWISE SPECIFIED:	DIN K. WHITAKER 9-19-88	Tyco Electronics Corporation Harrisburg, PA 17105-3608
0. PLC ± -	1. PLC ± -	CHK R. SWING 9-20-88	
2. PLC ± -	3. PLC ± .005	APVD R. CARSON 10-5-88	NAME
4. PLC ± -	ANGLES ± ±	PRODUCT SPEC	PLUG, 4 CIRCUIT, .062 PIN AND SOCKET
MATERIAL NYLON, UL94V-2	FINISH -	APPLICATION SPEC	SIZE CAGE CODE DRAWING NO
		WEIGHT -	A1 00779 C=770433
		CUSTOMER DRAWING	RESTRICTED TO

SCALE 5:1 SHEET 1 OF 1 REV B2